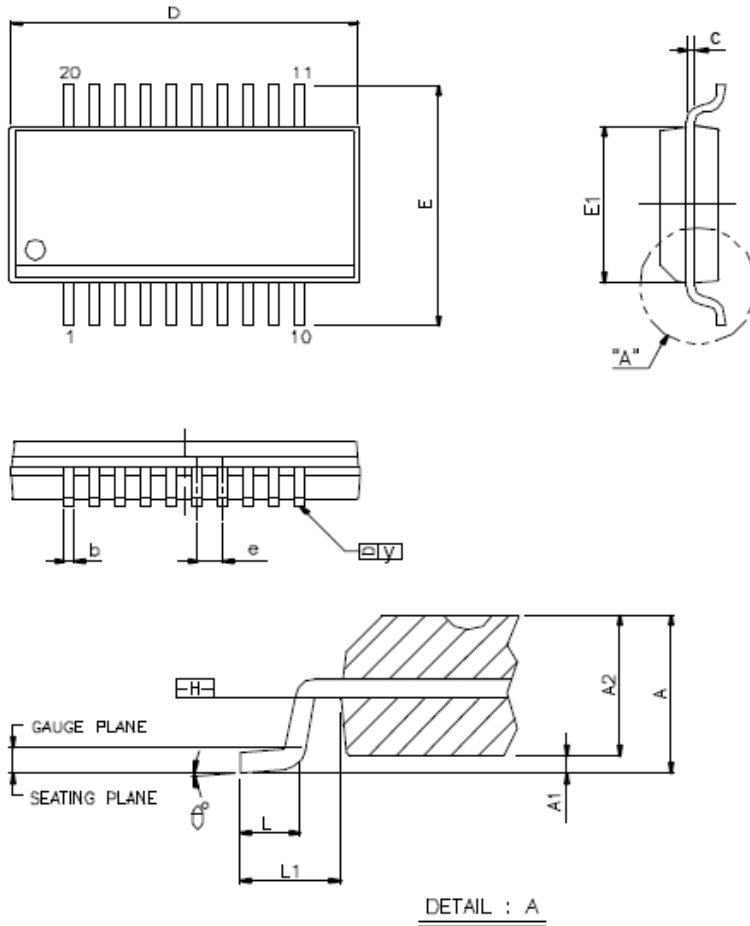




20L SSOP(150mil) Package Outline :



DETAIL : A

Symbol	Dimension in mm			Dimension in inch		
	Min	Nom	Max	Min	Nom	Max
A	—	—	1.75	—	—	0.069
A1	0.10	—	0.25	0.004	—	0.010
A2	1.24	—	—	0.049	—	—
b	0.20	—	0.33	0.008	—	0.013
c	0.18	—	0.25	0.007	—	0.01
D	8.46	—	8.84	0.335	—	0.348
E	5.79	—	6.20	0.228	—	0.244
E1	3.71	—	4.09	0.150	—	0.161
e	—	0.635	—	—	0.025	—
L	0.41	—	1.27	0.016	—	0.050
L1	—	1.04	—	—	0.041	—
y	—	0.10	—	—	0.004	—
θ	0°	—	8°	0°	—	8°

Note :

1. Dimension D & E1 do not include mold protrusion.
2. Dimension b does not include dambar protrusion.