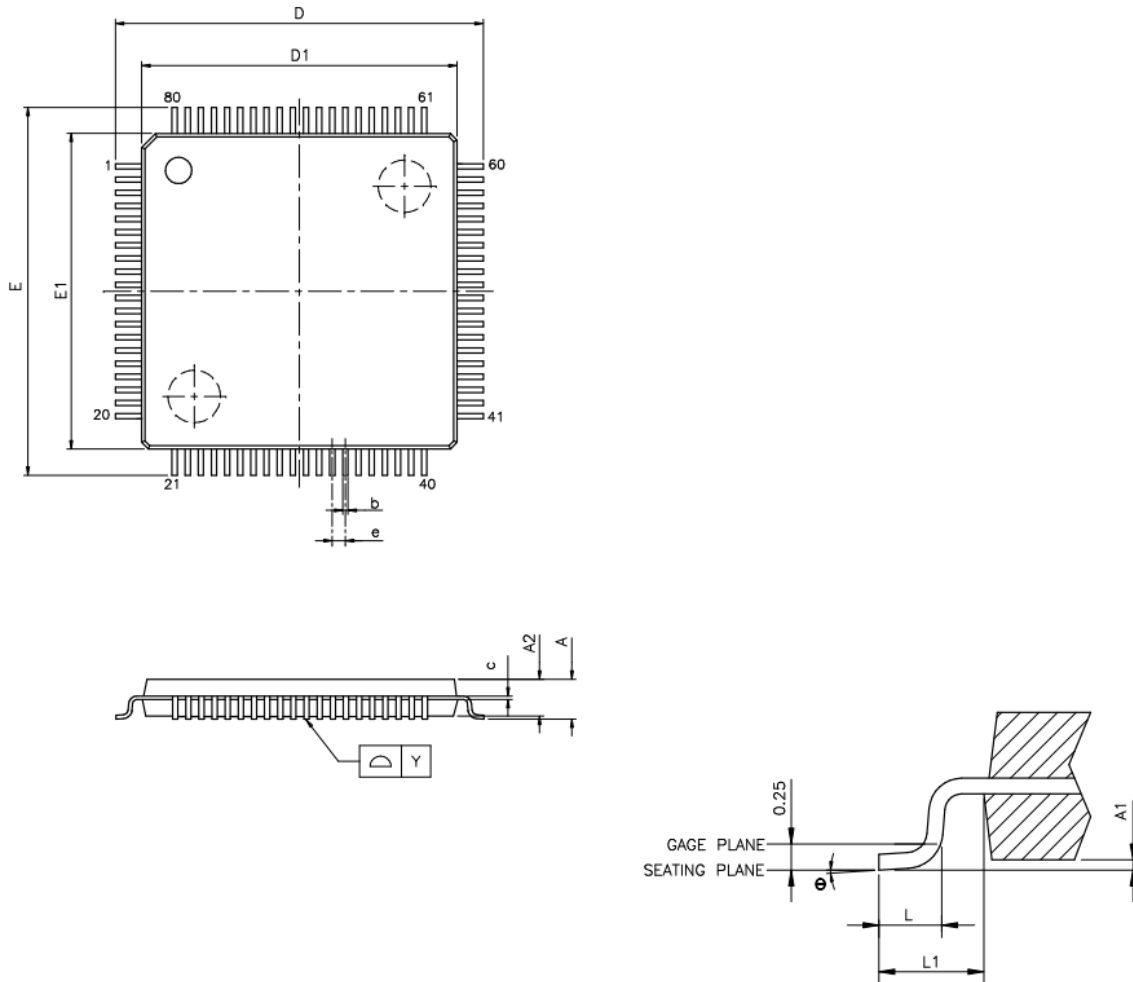




80L LQFP (12x12x1.4mm ; e 0.5mm) Package Outline :



Symbol	Dimension in mm			Dimension in inch		
	Min	Nom	Max	Min	Nom	Max
A	—	—	1.60	—	—	0.063
A1	0.05	—	0.15	0.002	—	0.006
A2	1.35	—	1.45	0.053	—	0.057
b	0.17	—	0.27	0.007	—	0.011
c	0.09	—	0.20	0.004	—	0.008
D	14.00BSC			0.551BSC		
D1	12.00BSC			0.472BSC		
E	14.00BSC			0.551BSC		
E1	12.00BSC			0.472BSC		
e	0.50BSC			0.020BSC		
L	0.45	—	0.75	0.018	—	0.030
L1	1.0BSC			0.039BSC		
θ	0°	—	7°	0°	—	7°

Note :

1. Dimension D1 & E1 do not include mold protrusion.
2. Dimension b does not include dambar protrusion.