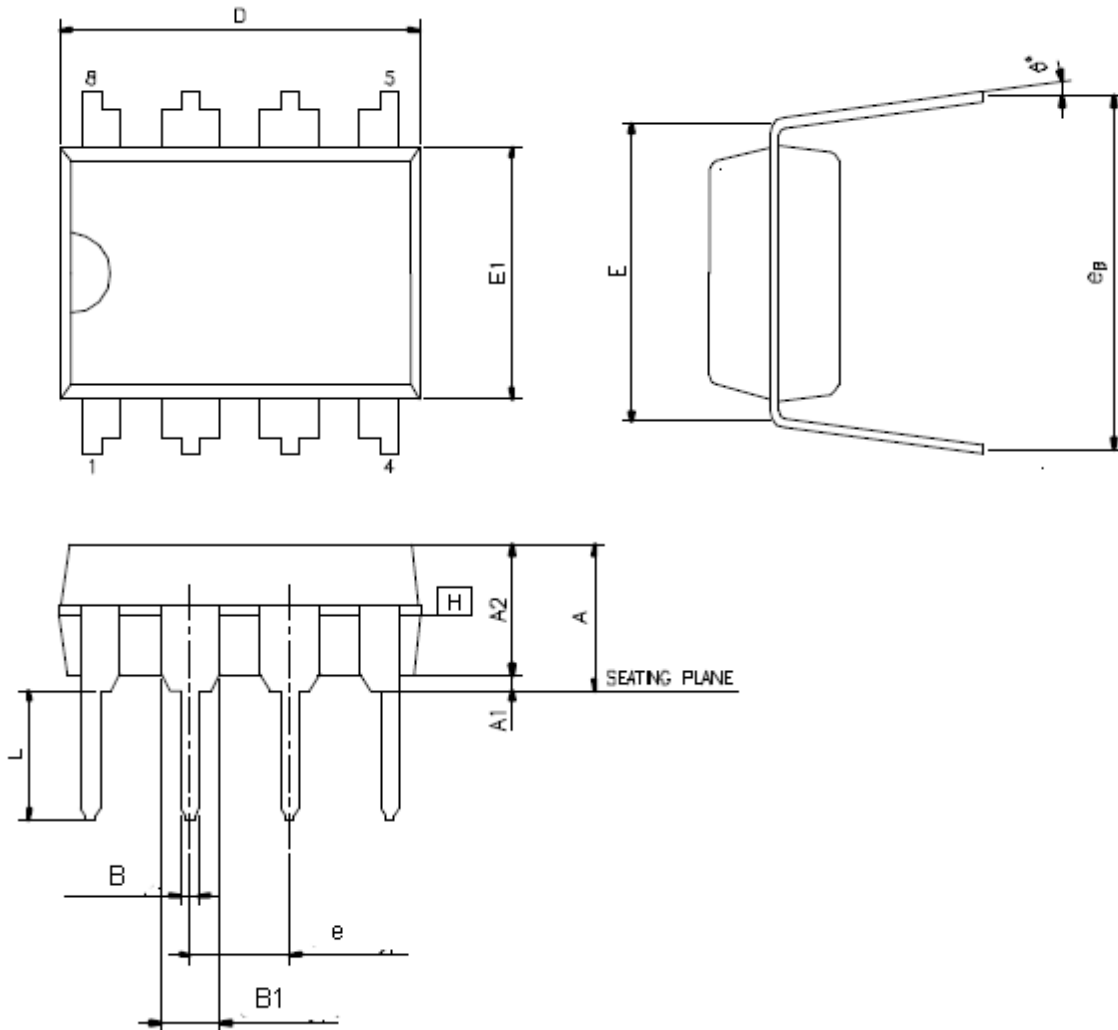




8L PDIP(300mil) Package Outline :



Symbol	Dimension in mm			Dimension in inch		
	Min	Nom	Max	Min	Nom	Max
A	3.60	—	5.334	0.142	—	0.210
A1	0.381	—	—	0.015	—	—
A2	3.175	3.302	3.43	0.125	0.130	0.135
B	0.380	0.4572	0.550	0.015	0.018	0.022
B1	1.420	1.524	1.62	0.056	0.060	0.064
D	9.017	9.271	10.16	0.355	0.365	0.400
E	7.62	7.87	8.25	0.300	0.310	0.325
E1	6.223	6.35	6.48	0.245	0.25	0.255
e	—	2.54	—	—	0.100	—
eB	7.620	8.80	9.30	0.300	0.346	0.366
L	2.921	3.30	3.81	0.115	0.130	0.150
θ	0°	—	15°	0°	—	15°

Note :

1. Dimension D & E1 do not include mold protrusion. D and E1 are maximum plastic body size dimension include mold mismatch.
2. Dimension B1 does not include dambar protrusion.