

## Product List

OB39R62T1W32VP,  
 OB39R62T1W28SP,  
 OB39R62T1W20SP,

## Description

The OB39R62T1 is a 1T (one machine cycle per clock) single-chip 8-bit microcontroller. It has 62KB embedded Flash for program, and executes all ASM51 instructions fully compatible with MCS-51.

OB39R62T1 contains 1KB+256B on-chip RAM, various serial interfaces and many peripheral functions as described below. It can be programmed via writers. Its on-chip ICE is convenient for users in verification during development stage.

The high performance of OB39R62T1 can achieve complicated manipulation within short time. About one third of the instructions are pure 1T, and the average speed is 8 times of traditional 8051, the fastest one among all the 1T 51-series. Its excellent EMI and ESD characteristics are advantageous for many different applications.

## Ordering Information

OB39R62T1ihhKL YWW

i: process identifier { W = 2.2V ~ 5.5V }

hh: pin count

k: package type postfix {as table below }

L:PB Free identifier

{No text is Non-PB free, "P" is PB free}

Y: Year Code

WW: Week Code (01-52)

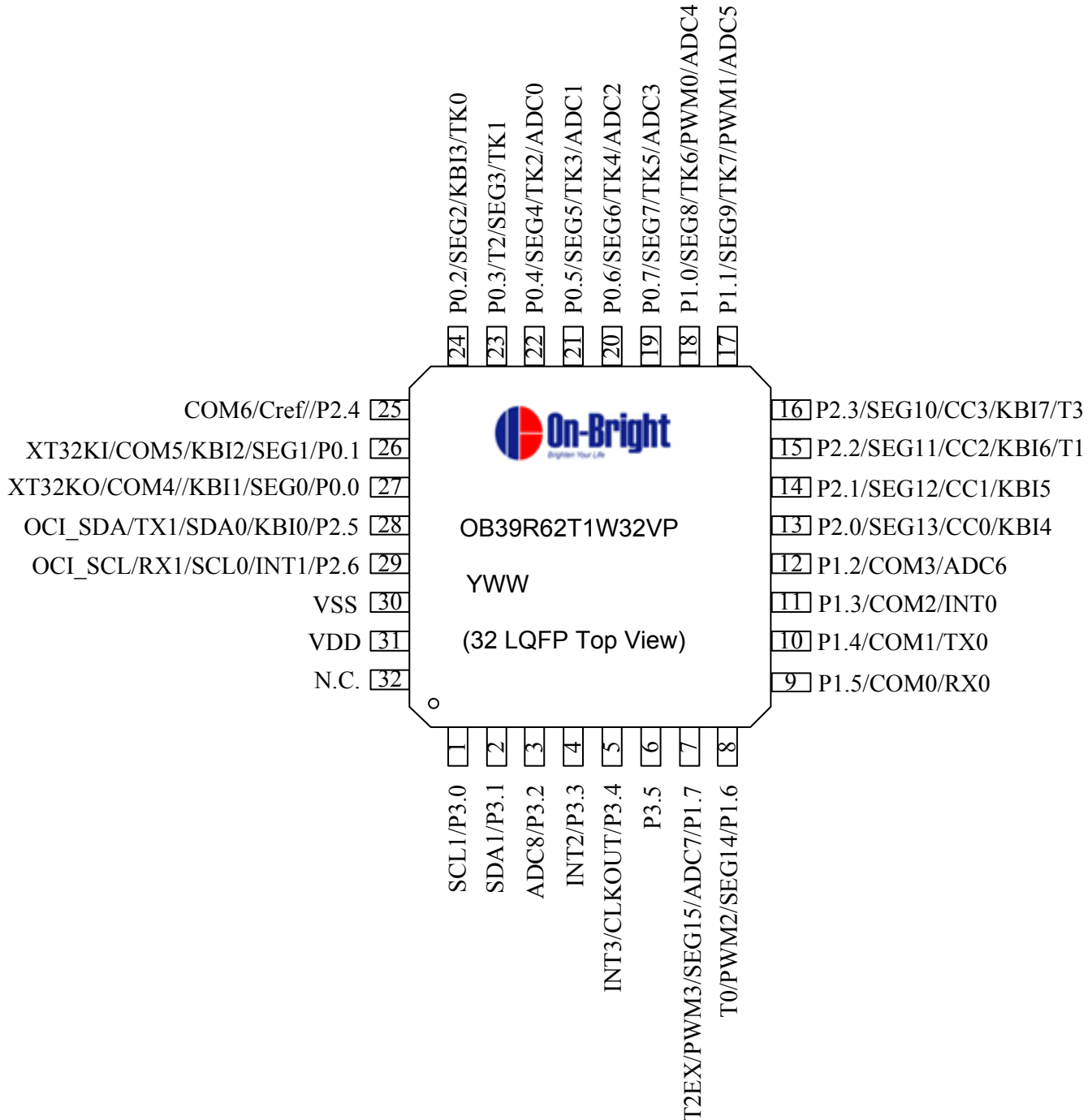
## Features

- 62KB on-chip program memory.
- Working voltage 2.2V~5.5V.
- High speed architecture of 1 clock/machine cycle runs up to 22.1184MHz.
- 1~8T can be switched on the fly.
- 256 bytes RAM as standard 8052, plus 1K bytes on-chip expandable RAM
- Dual 16-bit Data Pointers (DPTR0 & DPTR1).
- Two serial peripheral interfaces in full duplex mode (UART0 & UART1)
- Up to 8 touch sense inputs, support multiplexing I/O function.
- Four 16-bit Timer/Counters. (Timer 0,1,2,3)
- Programmable watchdog reset and interrupt timer.
- Two IIC interface. (Master/Slave mode).
- 4-channel 16-bit compare / capture functions.
- 4-channel PWM.
- ISP/IAP/ICP functions.
- On-Chip in-circuit emulator (ICE) functions with On-Chip Debugger (OCD).
- LVI/LVR (LVR deglitch 500ns).
- 9-channel 12-bit ADC.
- External interrupt 0, 1, 2, 3 with four priority levels.(INT x 4)
- Keyboard Interface (KBI x 8) on port 1 for eight more interrupts.
- LED driver: COM x7, Segment x 16.
- Enhance user code protection.
- Power management unit for IDLE and power down modes.

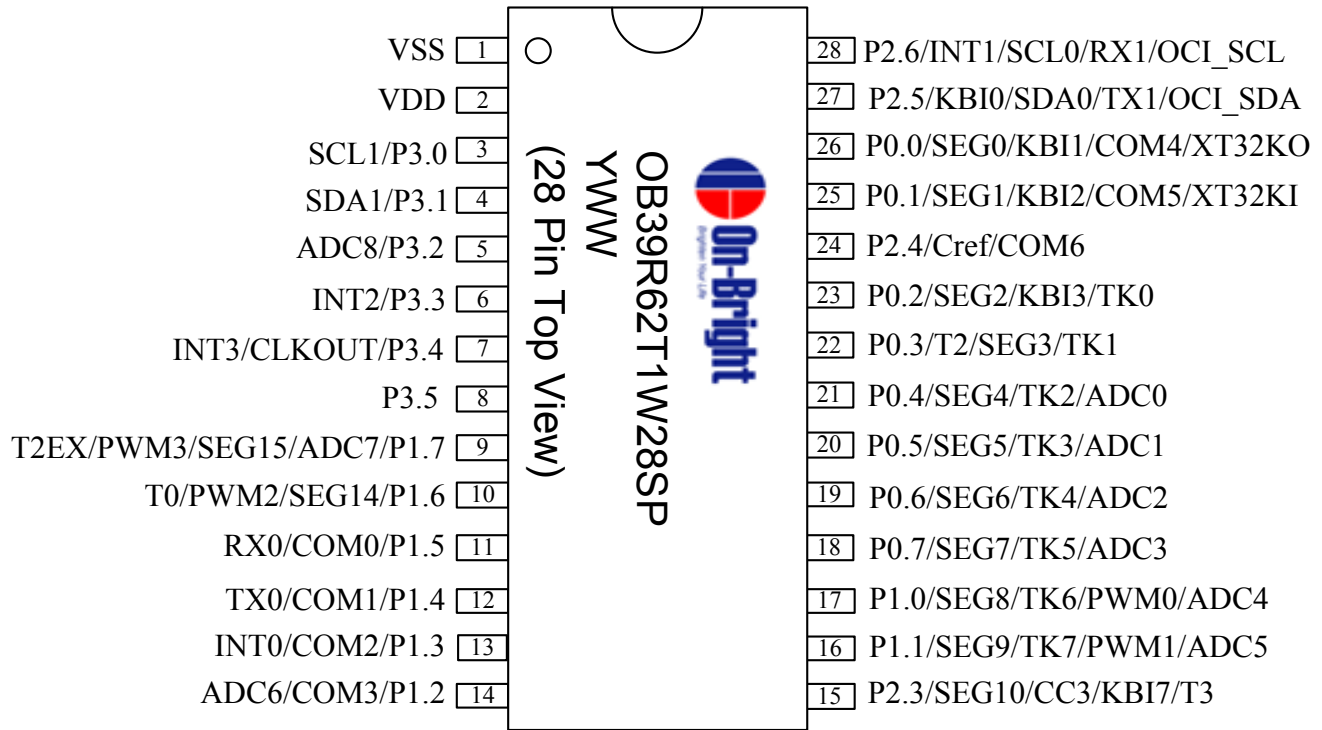
Postfix	Package
S	SOP (300 mil)
V	LQFP

## Pin Configuration

### 32 Pin LQFP



## 28 Pin SOP



## 20 Pin SOP

